

PA1015/PS1015 Series Wall Mount - USA-Side Plug-In

Features

Over-Voltage Protection
Over-Current Protection

Short-circuit Protection
100%Hi-pot & ATE Tested

100%Burn-in under (45°C)

Low Ripple/Noise
MTBF 50000 HRS At 25°C

LVD authentication
Limited Power Sources(LPS)

DoE VI and CoC Tier 2 VI Efficiency
Regulations Compliance

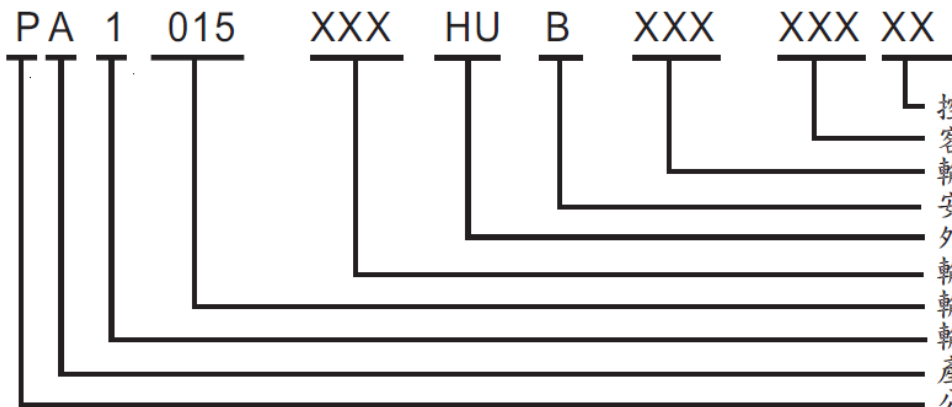
Cispr 22 CLASS B,VCCI CLASS B,
FCC Part15 CLASS B, Compliance



Specification

Model No	PA1015-xxxxyyzzz,PS1015-xxxxyyzzz						
Transformer	EF20 5PIN-1	EF20 5PIN-2	EF20 5PIN-2	EF20 5PIN-3	EF20 5PIN-4	EF20 5PIN-5	EF20 5PIN-2
Output Voltage	3.0~7.0V	7.1~8.9V	9.0~14.9V	15.0~30.0V	30.1~42.0V	48.0~57.0V	12.0V
Output Current(Max.)	3.0A	2.14A	1.66A	1.2A	0.5A	0.37A	2.0A
Output Power(Max.)	15W	15W	15W	18W	18W	18W	24W
Input Voltage	AC90~264V						
Input Frequency	47~63Hz						
Input Current	0.4A Max						
Inrush Current	40A Max						
Line Regulation	1% Max						
Ripple&Noise	1% Max						
Load Regulation	5% Max						
Efficiency	DoE VI & CoC Teir 2 VI						
Operating Temperature	0~40°C						
Storage Temperature	-20~85°C						
Over-Voltage Protection	Auto Recovery						
Short-circuit Protection	Auto Recovery						
Safety Standard	CB,UL,cUL,PSE,BSMI,Nrcan,DoE						
EMC(EMI/EMS)	FCC,VCCI						

機種編碼 Products code:



- 碼代碼 Ctrl Nbr
- 客戶輸出電流 Customer code
- 安規等級 Output Current
- 輸出電壓 A:ClassI/B:ClassII
- 輸出功率 Case type
- 輸出組數 Output voltage
- 產品類型 Output power
- 公司代碼 Output: Single/Multi
- PE C Product type

