

Features

Over-Voltage Protection
Over-Current Protection

Short-circuit Protection
100%Hi-pot & ATE(Chroma)Tested

100%Burn-in under (45°C)

Low Ripple/Noise
MTBF 50000 HRS At 25°C

LVD authentication
Limited Power Sources(LPS)

DoE VI and CoC Tier2 VI Efficiency
Regulations Compliance

Cispr 22 CLASS B, VCCI CLASS B,
FCC Part15 CLASS B, Compliance

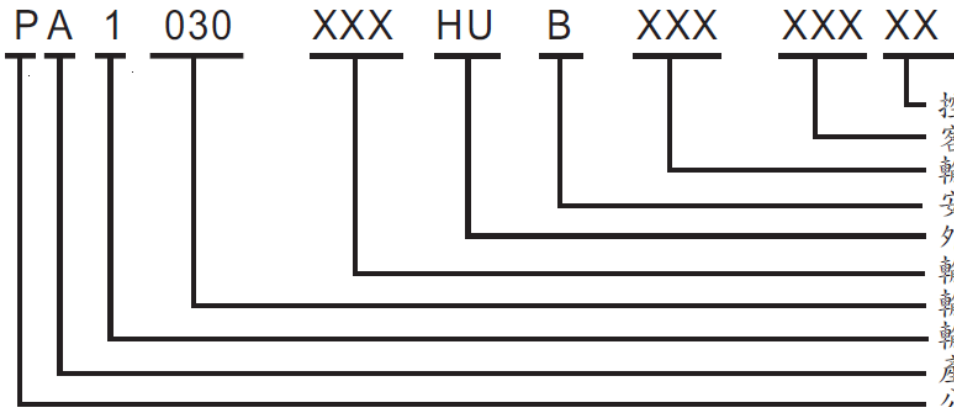
PA1030 Series Wall Mount-USA-Side Plug-In



Specification

Model No	PA1030-xxxxxyyzzz				
Transformer	EI28-1	EI28-1	EI28-2	EI28-3	EI28-4
Item					
Output Voltage	3~6V	6.1~7.4V	7.5~15V	15.1~30V	30.1~57V
Output Current(Max.)	5A	4.86A	4.8A	2.38A	1.2A
Output Power(Max.)	30W	36W	36W	36W	36W
Input Voltage	AC90~264V				
Input Frequency	47~63Hz				
Input Current	0.8A Max				
Inrush Current	60A Max				
Line Regulation	1% Max				
Ripple&Noise	1% Max				
Load Regulation	5% Maxi				
Efficiency	DoE VI & CoC Teir 2 VI				
Operating Temperature	0~40°C				
Storage Temperature	-20~85°C				
Over-Voltage Protection	Auto Recovery				
Short-circuit Protection	Auto Recovery				
Safety Standard	CB, cTUVus.DoE				
EMC(EMI/EMS)	FCC,VCCI				

機種編碼 Products code:



控制碼 Ctrl Nbr
客戶代碼 Customer code
輸出電流 Output Current
安規等級 A:ClassI/B:ClassII
外殼類型 Case type
輸出電壓 Output voltage
輸出功率 Output power
輸出組數 Output: Single/Multi
產品類型 Product type
公司代碼 P E C

