

PD1060

Features

DC-DC Converter(Boost-Buck)

Over current Protection

Short-circuit Protection

100%Burn-in under High Ambient Temperature(40°C)

Low Ripple/Noise
MTBF Above 50000 HRS At 25°C

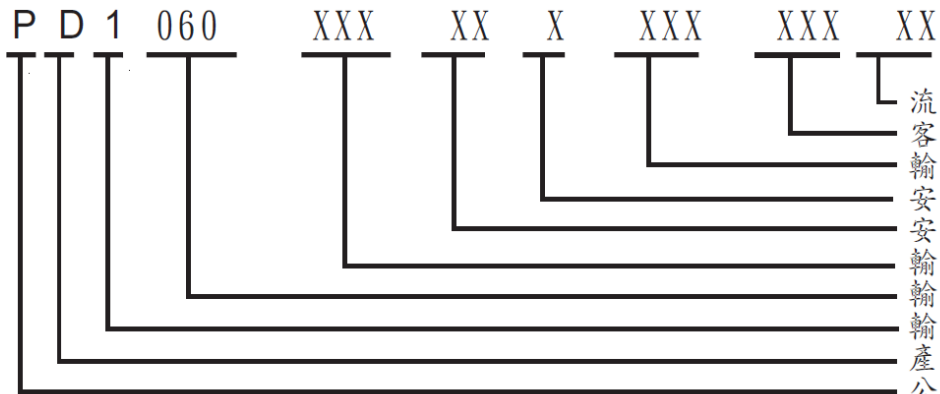


Cigar head has the following three types:
 A.4PIN copper shrapnel cigar head;
 B.2PIN copper and 2PIN Plastic cigar head;
 C.2PIN copper cigar head.

Specification

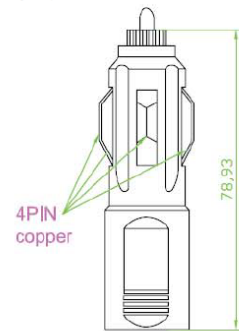
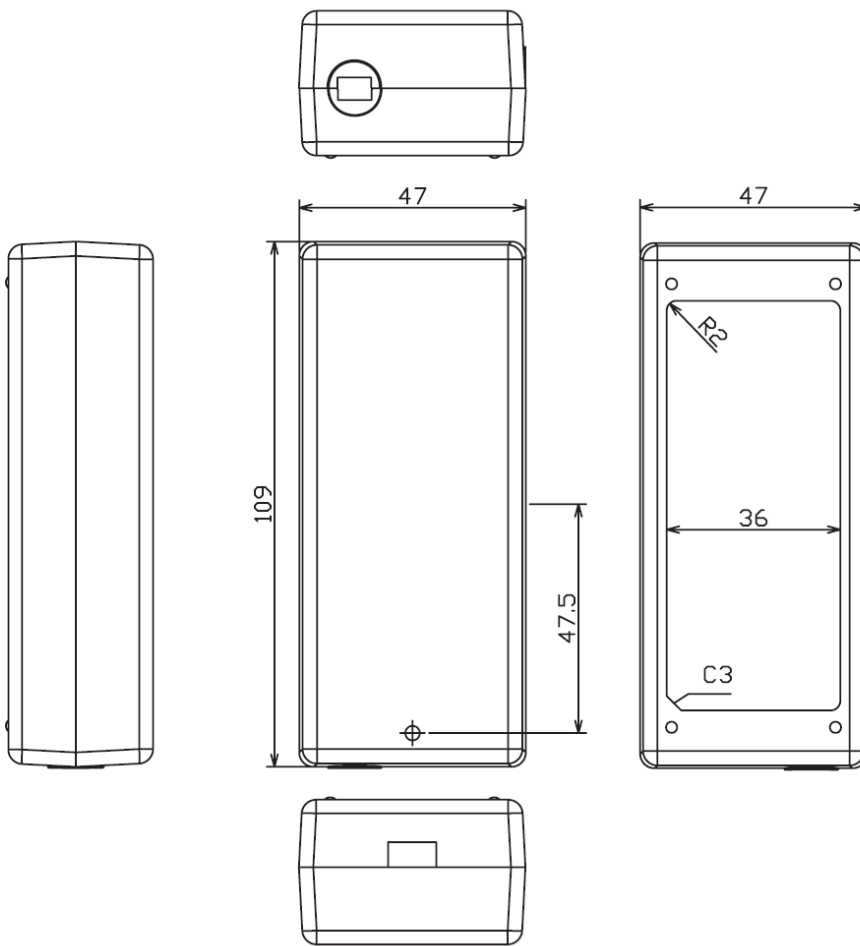
Item	Model No	PD1060
Output Voltage		12~24V
Output Current(Max.)		5.0A
Output Power(Max.)		60W
Input Voltage		12-24V
Input Current		8.0A Maximum
Ripple & Noise		300mv Maximum
Efficiency		≥ 85%
Operating Temperature		0~40°C
Storage Temperature		-20~85°C
Over-Voltage Protection		Auto Recovery
Short-circuit Protection		Auto Recovery
Safety & EMC		CE,E8

機種編碼 Products code:

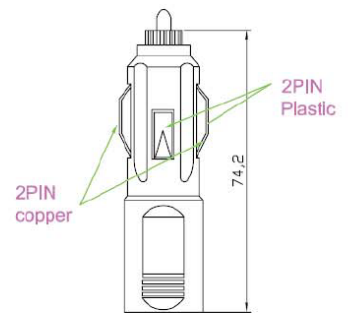


流水碼
客戶輸出安規及安規輸出輸出輸出輸出
安規等級
安規及類
輸出電壓
輸出功率
輸出組數
產品類型
公司代碼

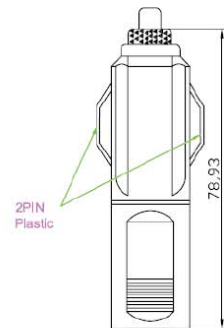
Serial number
Customer code
Output Current
A:ClassI/B:ClassII
Safety case type
Output voltage
Output power
Output group counts
Products type
P E C



A. 4PIN copper shrapnel cigar head



B. 2PIN copper and 2PIN Plastic cigar head



C. 2PIN copper cigar head