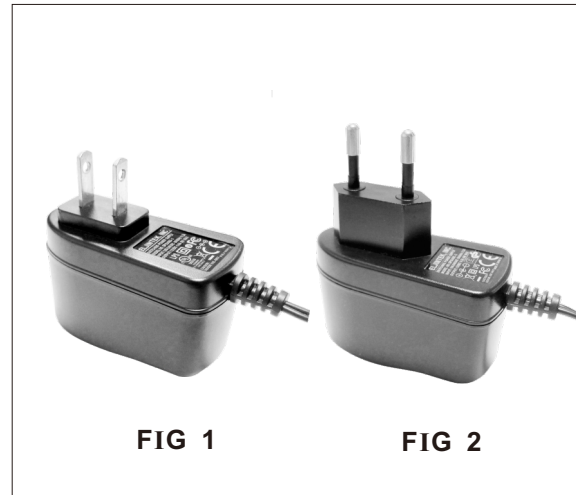


Plug-in power supply

Features:

- Universal input voltage
- No load power consumption: <0.3W
- Meet ENERGY STAR V
- Single output
- Optional output connectors
- Short circuit protection
- Over voltage protection
- Over current protection
- Means of patient protection design
- Possess risk analysis report
- Application: Personal hygiene and health care appliances
- Meet 60601-1-11(health care applications)
- Two years limited warranty



SAFETY AGENCY APPROVALS



Specifications:	GMPU06 Series:
Input voltage	100 ~ 240 VAC
Input frequency	47 ~ 63Hz
Input current	0.18-0.09A
Leakage current	0.1mA Max.@240VAC/50Hz
Output voltage	See rating chart
Output current	See rating chart
Output power range	See rating chart
Ripple	See rating chart
Over voltage protection	Yes.Protected by Zener diode. Reted output voltage 110~140%
Over current protection	Yes. Hiccup mode; Auto-recovery. Rated output current>110%
Short protection	Yes. Hiccup mode; Auto-recovery
Temperature coefficient	All output $\pm 0.04\%/^{\circ}\text{C}$ maximum
Transient response	Maximum excursion of 5% better on all models. Recovering to 3% of final value within 500n/sec after a 25% step load change
Operating temperature	0 $^{\circ}\text{C}$ ~+40 $^{\circ}\text{C}$ See rating chart
Storage temperature	-40 $^{\circ}\text{C}$ ~+85 $^{\circ}\text{C}$
Relative humidity	5% to 95% non-condensing
Derating	Derated from 100% at +40 $^{\circ}\text{C}$ linearly to 50% at 70 $^{\circ}\text{C}$
Avg.Efficiency	See rating chart
Hold up time	8msec. minimum
Line regulation	$\pm 1\%$ maximum for any input voltage change between input voltage range
Load regulation	$\pm 5\%$ variations from minimum to maximum output current
Insulation resistance	50Mohm minimum from input to output
Inrush current	30A Max. @ 240 VAC/50Hz at 25 $^{\circ}\text{C}$ cold start
Withstand voltage	5656VDC from input to output
Mean time between failure	100,000 hours minimum at full load at 25 $^{\circ}\text{C}$ ambient
EMC	(A) EN60601-1-2:2007 (B) FCC PART 15 & PART 18 CLASS B
Safety	(A) UL: ES60601-1 (B)CSA: C22.2 NO.60601-1(C)EN: EN60601-1
Warranty	2 years

FIG 1(UL)

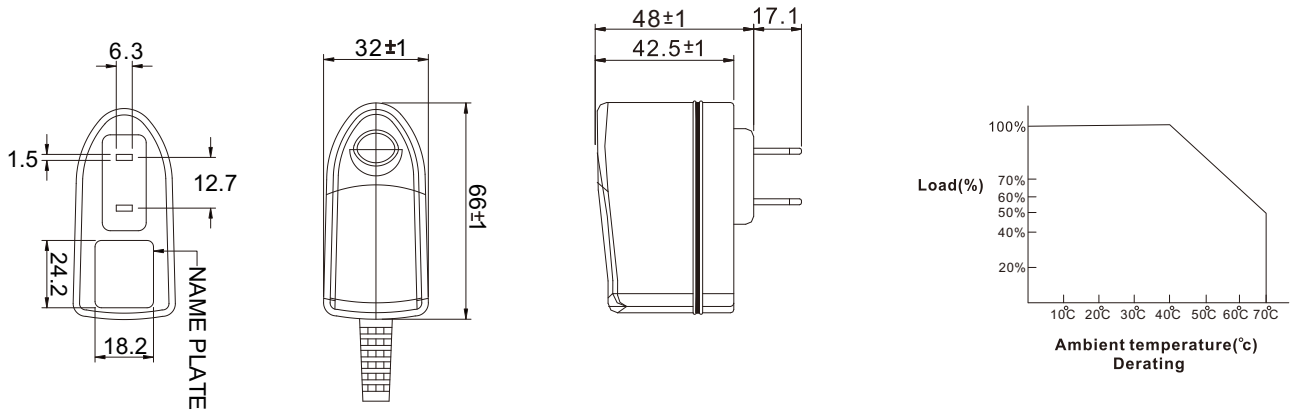
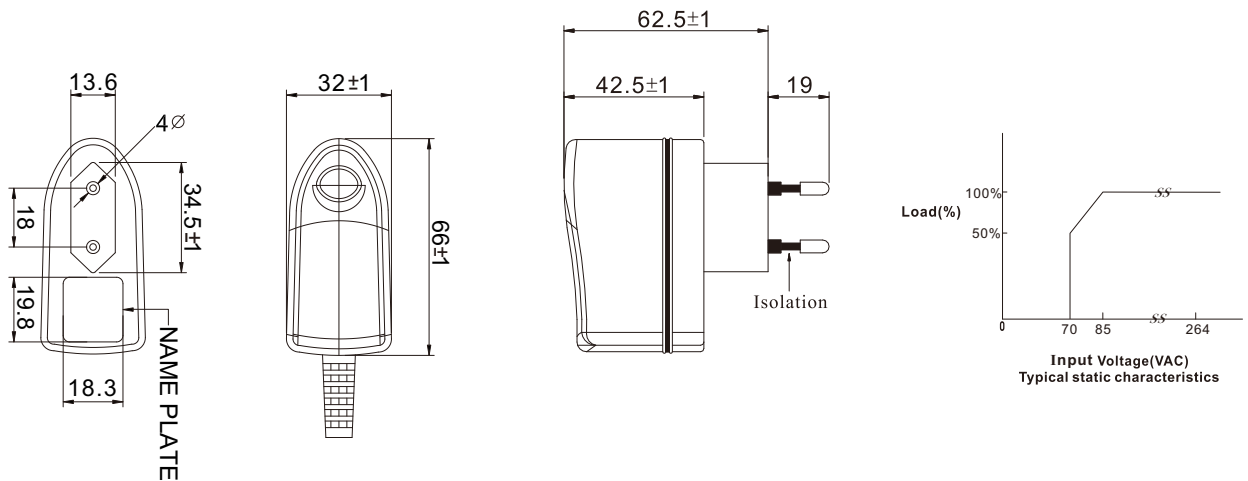


FIG 2(TUV)



X= U: (American type FIG1) or **E:** (European type FIG 2)

Model name	Output Voltage(VDC)	Output Current(A)	Max.Output power(W)	Ripple.(mV) max.	Line Regulation(%)	Load Regulation(%)	Avg.Eff.(%) 25,50,75,100% load	No load Power Consumption(W)	Measured at the output of
GMPU06X-1	5~6	1.20~1.00	6	80	±1	±5	>69.54	<0.3	5
GMPU06X-11	5	1	5	80	±1	±5	>68.2	<0.3	5
GMPU06X-1-1	6~8	1.00~0.75	6	80	±1	±5	>74	<0.3	7.5
GMPU06X-2	8~11	0.75~0.55	6	80	±1	±5	>74	<0.3	9
GMPU06X-3	11~13	0.55~0.46	6	120	±1	±5	>74	<0.3	12
GMPU06X-4	13~16	0.46~0.38	6	150	±1	±5	>74	<0.3	15
GMPU06X-5	16~21	0.38~0.29	6	180	±1	±5	>74	<0.3	18
GMPU06X-6	21~24	0.29~0.26	6	200	±1	±5	>74	<0.3	24

Note:

1. Weight: Approx 70~100gs
2. Optional output connectors (See appendix A)
3. Avg. Eff.(%): Averages the efficiency at 25, 50, 75, and 100 % of max. rated output current.
4. ENERGY STAR V Standard Output cable: 5~12V: UL2468, 22AWG, 4FT
12~24V: UL2468, 24AWG, 6FT